

THIS DRAWING AND THE DATA DISCLOSED HEREIN OR HEREWITH IS NOT TO BE REPRODUCED USED OR DISCLOSED IN WHOLE OR IN PART TO ANYONE WITHOUT THE PERMISSION OF JESS-LINK PRODUCTS CO.,LTD.(JPC)

CUSTOMER DRAWING
DRWC-007114

REV.	ECN NO.	DESCRIPTION	MDF'D	APP'D	DATE
01		INITIAL DESIGN	Philip	Richard	06/30/2023
02					
03					

A

B

C

D

E

F

A

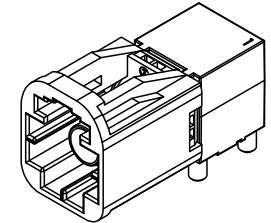
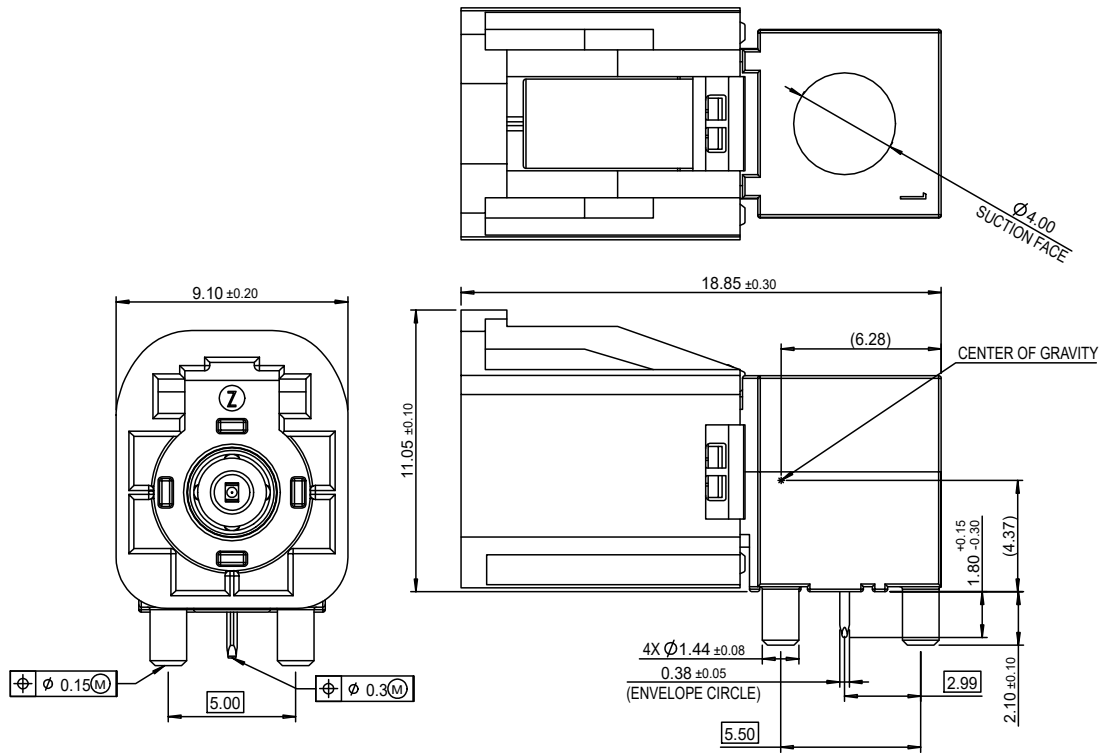
B

C

D

E

F



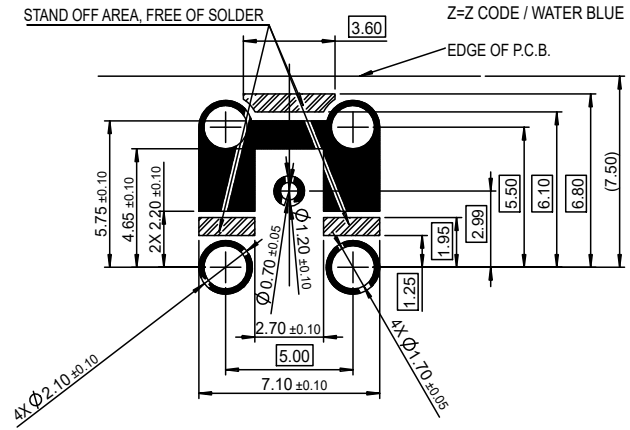
SPECIFICATION
MATERIALS:
1. CODING HOUSING: PA, COLOR SEE DETAIL
2. INNER HOUSING: LCP, COLOR BLACK
3. CONTACT: BRASS
PLATING: CONTACT AREA: 6u" GOLD
SOLDER AREA: 80u"~160u" TIN (MATTE)
UNDERPLATE: 80u"~160u" NI
4. OUTER CONTACT(INTERFACE): STAINLESS STEEL
PLATING: 120u"~240u" TIN(MATTE) OVER 40u"~120u" NI
5. OUTER CONTACT(P.C.B.): ZAMAK
PLATING: 120u"~240u" TIN PLATED OVER
120u"~200u" NI PLATED OVER

ELECTRICAL: 600u"~800u" CU UNDERPLATED OVERALL
1. IMPEDANCE: 50 Ω
2. FREQUENCY: DC TO 9 GHz
3. INSULATION RESISTANCE: ≥1X10⁹ MΩ
4. CENTER CONTACT RESISTANCE: ≤15 MΩ
5. OUTER CONTACT RESISTANCE: ≤5 MΩ
6. TEST VOLTAGE: ≤ 800 Vrms
7. WORKING VOLTAGE: ≤ 60 V DC
8. POWER CURRENT: ≤ 1 A DC

MECHANICAL:
1. TEMPERATURE RANGE: -40°C TO +105°C
2. MATING CYCLES: ≥25
3. ENGAGEMENT FORCE: ≤15 N
4. DISENGAGEMENT FORCE: ≤2 N
5. RETENTION FORCE LATCH: ≥110 N
6. CODING EFFICIENCY: ≥150 N

PART NO.
PZANHFCR0041X
1

1. HOUSING CODING INFORMATION / COLOR :
A=A CODE / BLACK
B=B CODE / WHITE
F=F CODE / BROWN
Z=Z CODE / WATER BLUE



CODING INFORMATION				
	A	B	F	Z
CODING				
COLOR	BLACK	WHITE	BROWN	WATER BLUE

KEY	Product Name	Color	P/N.
A	Mini Fakra Single Port R/A Male A-Code Connector , PCB Mount	BLACK	PZANHFCR0041A
B	Mini Fakra Single Port R/A Male B-Code Connector , PCB Mount	WHITE	PZANHFCR0041B
F	Mini Fakra Single Port R/A Male F-Code Connector , PCB Mount	BROWN	PZANHFCR0041F
Z	Mini Fakra Single Port R/A Male Z-Code Connector , PCB Mount	WATER BLUE	PZANHFCR0041Z

RoHS COMPLIANT	Unit:mm(inch)	PROJECTION	JPC connectivity	
	GENERAL TOLERANCES: (UNLESS SPECIFIED)	D.R. 06/30/2023	TITLE	
	0 = ±1 (0.039)	Philip	Mini Fakra Single Port R/A Male X-Code Connector , PCB Mount	
	0.0 = ±.3 (0.012)	Philip	SCALE	SIZE
0.000 = ±.15 (0.006)	APV,D 06/30/2023	3:1	A4	PART NO.
0° = ± 2'	Richard	PZANHFCR0041X		REV. 01
0.0° = ± 1'				SHEET 1 OF 1